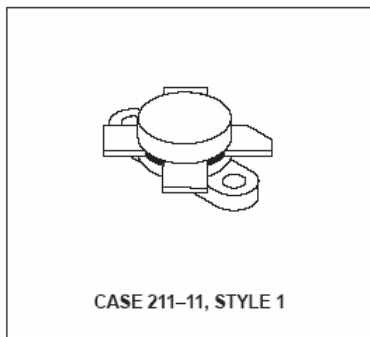
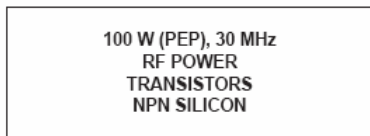


The RF Line
NPN Silicon
RF Power Transistor

Designed primarily for application as a high-power linear amplifier from 2.0 to 30 MHz.

- Specified 12.5 Volt, 30 MHz Characteristics —
 Output Power = 100 W (PEP)
 Minimum Gain = 10 dB
 Efficiency = 40%
- Intermodulation Distortion @ 100 W (PEP) —
 IMD = -30 dB (Min)
- 100% Tested for Load Mismatch at all Phase Angles with 30:1 VSWR



MAXIMUM RATINGS

Rating	Symbol	Value	Unit
Collector–Emitter Voltage	V_{CEO}	20	Vdc
Collector–Base Voltage	V_{CBO}	45	Vdc
Emitter–Base Voltage	V_{EBO}	3.0	Vdc
Collector Current — Continuous	I_C	20	Adc
Withstand Current — 10 s	—	30	Adc
Total Device Dissipation @ $T_C = 25^\circ\text{C}$ Derate above 25°C	P_D	290 1.66	Watts W/ $^\circ\text{C}$
Storage Temperature Range	T_{stg}	-65 to +150	$^\circ\text{C}$

THERMAL CHARACTERISTICS

Characteristic	Symbol	Max	Unit
Thermal Resistance, Junction to Case	$R_{\theta JC}$	0.6	$^\circ\text{C/W}$

ELECTRICAL CHARACTERISTICS ($T_C = 25^\circ\text{C}$ unless otherwise noted.)

Characteristic	Symbol	Min	Typ	Max	Unit
----------------	--------	-----	-----	-----	------

OFF CHARACTERISTICS

Collector–Emitter Breakdown Voltage ($I_C = 50 \text{ mAdc}$, $I_B = 0$)	$V_{(BR)CEO}$	20	—	—	Vdc
Collector–Emitter Breakdown Voltage ($I_C = 200 \text{ mAdc}$, $V_{BE} = 0$)	$V_{(BR)CES}$	45	—	—	Vdc
Collector–Base Breakdown Voltage ($I_C = 200 \text{ mAdc}$, $I_E = 0$)	$V_{(BR)CBO}$	45	—	—	Vdc
Emitter–Base Breakdown Voltage ($I_E = 10 \text{ mAdc}$, $I_C = 0$)	$V_{(BR)EBO}$	3.0	—	—	Vdc
Collector Cutoff Current ($V_{CE} = 16 \text{ Vdc}$, $V_{BE} = 0$, $T_C = 25^\circ\text{C}$)	I_{CES}	—	—	10	mAdc

ELECTRICAL CHARACTERISTICS – continued ($T_C = 25^\circ\text{C}$ unless otherwise noted.)

Characteristic	Symbol	Min	Typ	Max	Unit
----------------	--------	-----	-----	-----	------

ON CHARACTERISTICS

DC Current Gain ($I_C = 5.0 \text{ Adc}$, $V_{CE} = 5.0 \text{ Vdc}$)	h_{FE}	10	70	—	—
---	----------	----	----	---	---

DYNAMIC CHARACTERISTICS

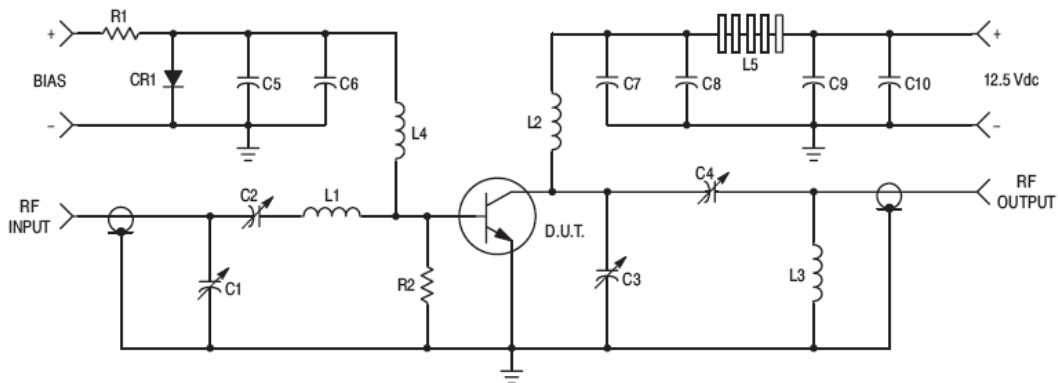
Output Capacitance ($V_{CB} = 12.5 \text{ Vdc}$, $I_E = 0$, $f = 1.0 \text{ MHz}$)	C_{ob}	—	550	800	pF
---	----------	---	-----	-----	----

FUNCTIONAL TESTS

Common-Emitter Amplifier Power Gain ($V_{CC} = 12.5 \text{ Vdc}$, $P_{out} = 100 \text{ W}$, $I_{C(max)} = 10 \text{ Adc}$, $I_{CQ} = 150 \text{ mA}$, $f = 30, 30.001 \text{ MHz}$)	G_{PE}	10	12	—	dB
Collector Efficiency ($V_{CC} = 12.5 \text{ Vdc}$, $P_{out} = 100 \text{ W}$, $I_{C(max)} = 10 \text{ Adc}$, $I_{CQ} = 150 \text{ mA}$, $f = 30, 30.001 \text{ MHz}$)	η	40	—	—	%
Intermodulation Distortion (1) ($V_{CE} = 12.5 \text{ Vdc}$, $P_{out} = 100 \text{ W}$, $I_C = 10 \text{ Adc}$, $I_{CQ} = 150 \text{ mA}$, $f = 30, 30.001 \text{ MHz}$)	IMD	—	-33	-30	dB

NOTE:

1. To proposed EIA method of measurement. Reference peak envelope power.



C1, C2, C4 — 170–780 pF, ARCO 469
C3 — 80–480 pF, ARCO 466
C5, C7, C10 — ERIE 0.1 μF , 100 V
C6 — MALLORY 500 μF @ 15 V Electrolytic
C9 — 100 μF , 15 V Electrolytic
C8 — 1000 pF, 350 V UNDERWOOD
R1 — 10 Ω , 25 Watt Wirewound

R2 — 10 Ω , 1.0 Watt Carbon
CR1 — 1N4997
L1 — 3 Turns, #16 Wire, 5/16" I.D., 5/16" Long
L2 — 12 Turns, #16 Enameled Wire Closewound, 1/4" I.D.
L3 — 1-3/4 Turns, 1/8" Tubing, 3/8" I.D., 3/8" Long
L4 — 10 μH Molded Choke
L5 — 10 Ferrite Beads — FERROXCUBE #56–590–65/3B

Figure 1. 30 MHz Test Circuit Schematic

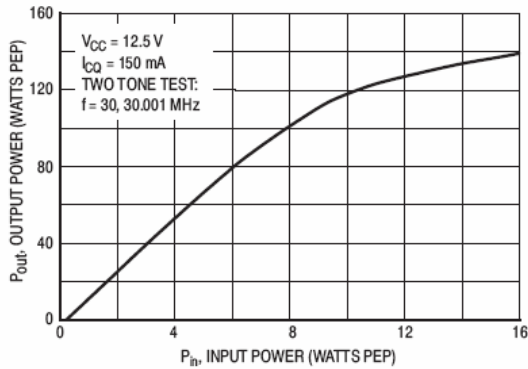


Figure 2. Output Power versus Input Power

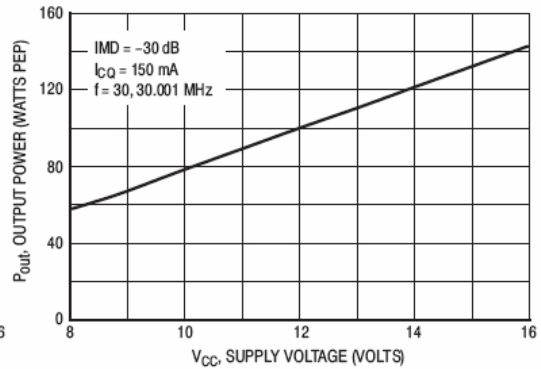


Figure 3. Output Power versus Supply Voltage

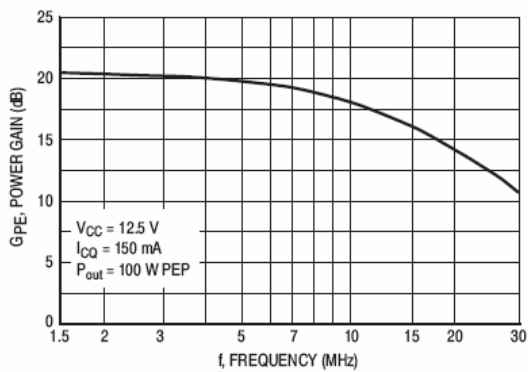


Figure 4. Power Gain versus Frequency

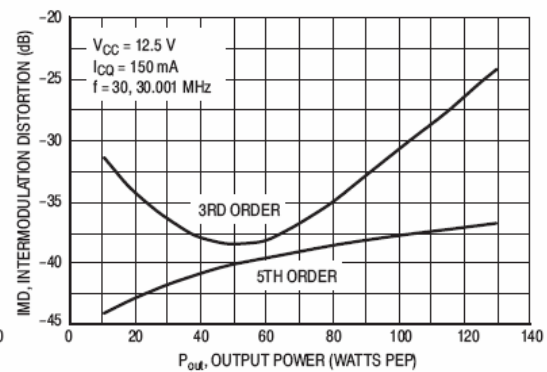


Figure 5. Intermodulation Distortion versus Output Power

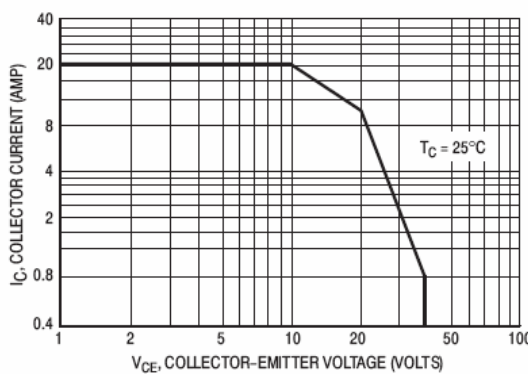


Figure 6. DC Safe Operating Area

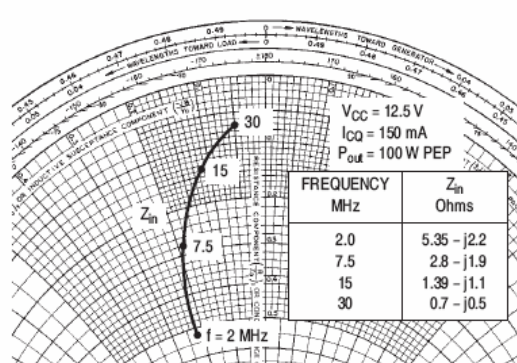


Figure 7. Series Equivalent Impedance

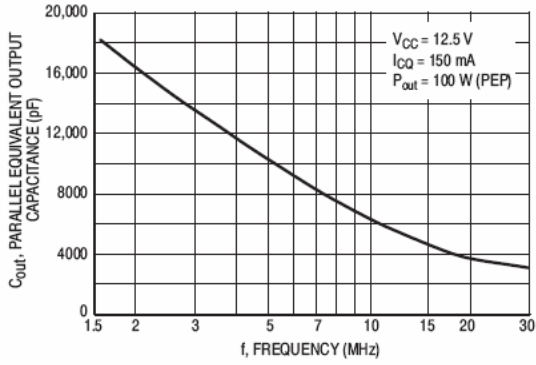


Figure 8. Output Capacitance versus Frequency

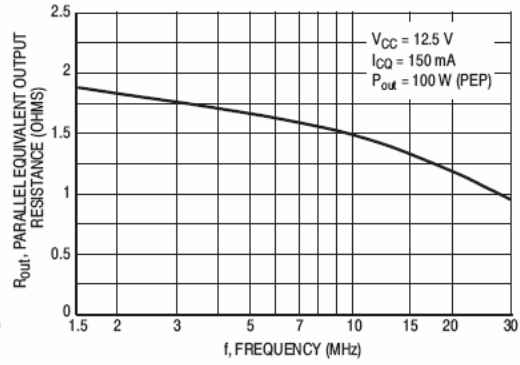
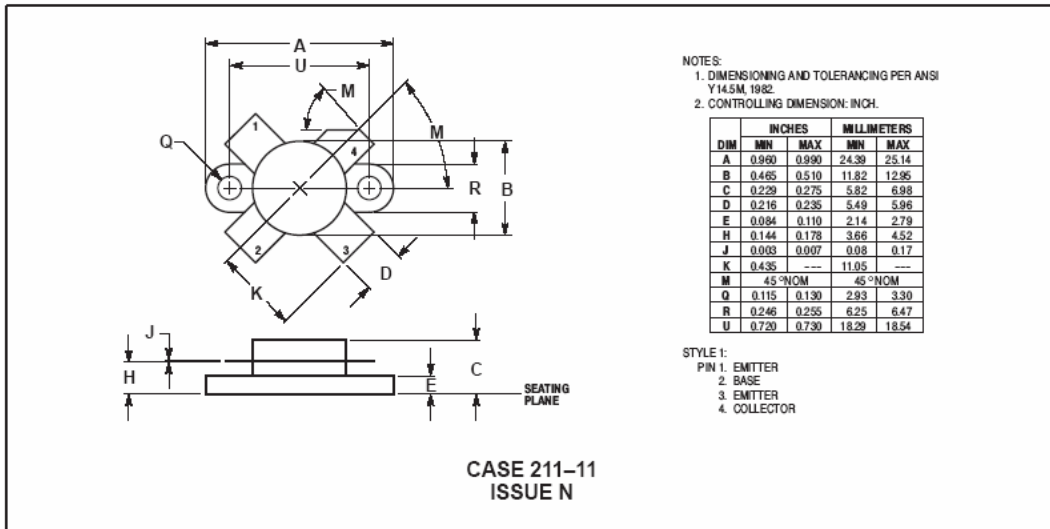


Figure 9. Output Resistance versus Frequency

PACKAGE DIMENSIONS





ELEFLOW OFFICES

<p>CHINA</p> <p>ELEFLOW TECHNOLOGIES(HQ) Suite1-603, HuaKang Plaza 109 ZhenXing Road, Futian District ShenZhen518031, P.R. China Phone: 86-755-83204665/83204663 Fax: 86-755-8320 4659 Email: eleflow@163.com</p> <p>USA</p> <p>ELEFLOW TECHNOLOGIES(USA) Mr. Ted Seymore (Manager) 3291 NE 4th Ave., Boca Raton Florida 33431-6011, USA Phone: 408-716-8509 Fax: 561-852-0505 Email: tedseymour@adelphia.net</p>	<p>R & D CENTER</p> <p>ELEFLOW TECHNOLOGIES(R&D CENTER) Overseas Chinese High-Tech Venture Park No. 12 South, Hi-tech Park, NanShan Dist. ShenZhen518057, China</p> <p>CHENGDU, CHINA</p> <p>Eleflow Technologies (Chengdu Office) Mr. Ou, Lin (Manager) Suite A401, Qunyi Business Centre 13 ErHuanLu NanYiDuan, Chengdu Sichuan610041, China Phone: 86-28-8521 3480 Fax: 86-28-8521 3480 Email: eleflow@163.com</p>
---	--